

Isolated Universal Connection Converter

Converts RS485 to RS232 or to Fiber Optic

UNICOM 2500

Features

- 2500 Volts Isolation
- Rugged Design for Harsh Environments
- Supports 2 & 4 Wire RS485
- Up to 115k Baud
- Throughput Microprocessor Based
- External Configuration Switches

Description

The Unicom 2500 is a rugged device designed to convert between RS485, RS232 and fiber optic. This unit answers the electrical industry's need to have a stable communication converter that protects equipment wired to it. It is designed specifically for harsh and critical electrical environments.

2500 Volt Isolation

With 2500 Volt optical Isolation, the unit protects communication busses from destructive high powered surges and transients often found in utility substations and critical industrial applications.

Advanced Capabilities

The unit communicates up to 115k Baud in both 2-wire and 4-wire configurations. UNICOM programs for DTE and DCE with

a switch, eliminating the need for a null modem.

Automatic Control of Transmit & Receive Signals

In two-wire mode, the unit controls the transmit and receive lines.

The microprocessor automatically adjusts the timing for the RS485 transmit and receive drivers according to the pre-selected baud rate. The baud rate easily configures with an external switch.

The unit defaults to the receive mode. After detecting the last transition, the microprocessor disables the transmit mode. A start bit appearing on the input (RS232/Fiber) enables the transmit mode (within at least 10-13 bit time).

Fiber Optic Option

The unit has fiber optic capability. All RS485 or RS232 speaking devices can be converted to fiber optic. An additional Unicom 2500 converts the fiber optic back to RS232 or RS485.

Communication Conversion Formats

- RS485 to RS232 (bidirectional)
- RS485 or RS232 to fiber optic (bidirectional)
- Up to 115K baud
- Fiber Optic to RS232 or RS485 (bidirectional)

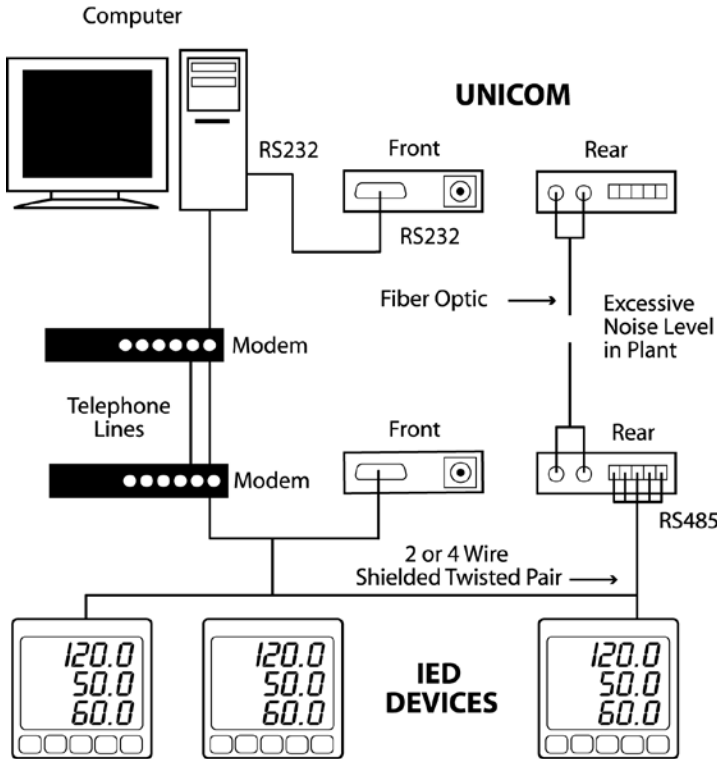


Isolated Universal Connection Converter

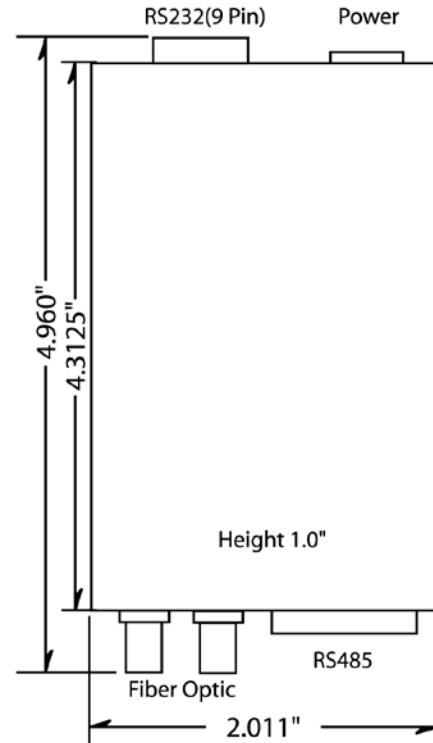
Converts RS485 to RS232 or to Fiber Optic

UNICOM 2500

Wiring Diagram



Dimensions



Specifications

Isolation

2500 volts from input to output

Port Configurations

RS232- 9 Pin Female

RS485- 4 Wire and 2 Wire Connector

Fiber Port: 50/125um, 62.5/125um and 100/40um fiber sizes using ST terminated cables

Operates in multi-mode

Power Input

9V DC -24V DC or 7V AC-20V AC Adapter supplied

Ordering Information

Model Number:

UNICOM-2500

Options:

Fiber Option Port - F Option

Typical Ordering Configuration:

UNICOM-2500-F-9PINC



1800 Shames Drive • Westbury, NY 11590 • **1-877-EIMETER** (1-877-346-3837) • **Email:** sales@electroind.com
Tel: 516-334-0870 • **Web Site:** www.electroind.com • **Fax:** 516-338-4741