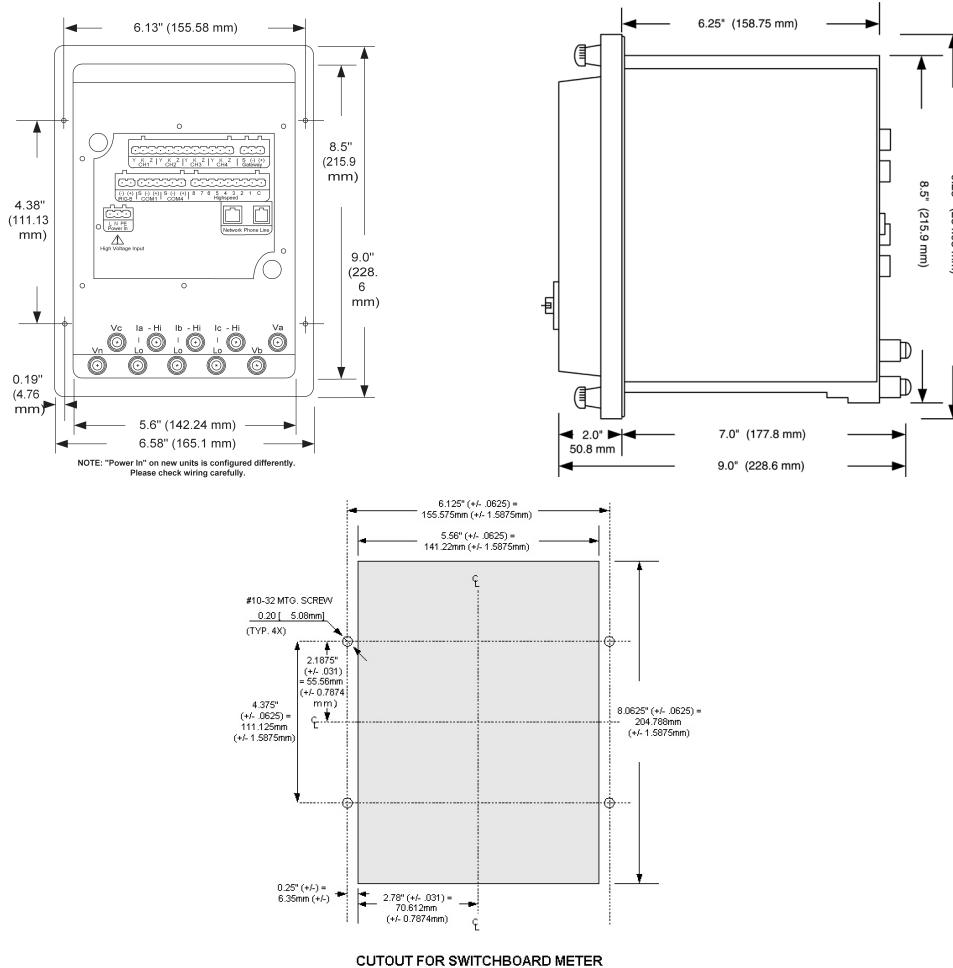


# Nexus® 1262/1272 Switchboard Meter Quick Start

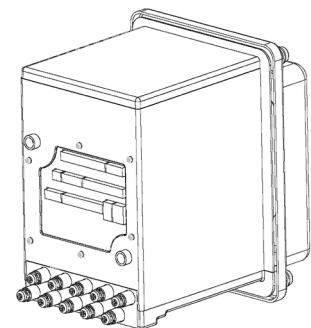
## Hardware Installation

### Switchboard Meter Dimensions:

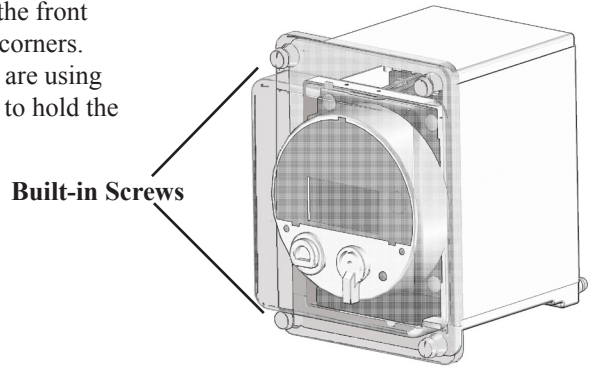


The Nexus® Switchboard Meter provides two-step installation or disconnection.

1. Insert the switchboard case into a prepared mounting hole. Before installing the meter, check the battery connections (see Sections 5.4.4 and 6.2 of the Installation and Operation Manual, on the enclosed CD).
2. Slide the meter into the case and secure it by sliding the chassis levers until they snap into place.
3. Connectors for the following are located on the back of the meter. The connectors automatically plug into the available connectors on the mounting board (see figure on the right).
  - Pulse Outputs - Four Channels
  - Status Inputs
  - Phone
  - Line/Network
  - Power In
  - COM4, COM1
  - IRIG-B
  - Modem Gateway RS485

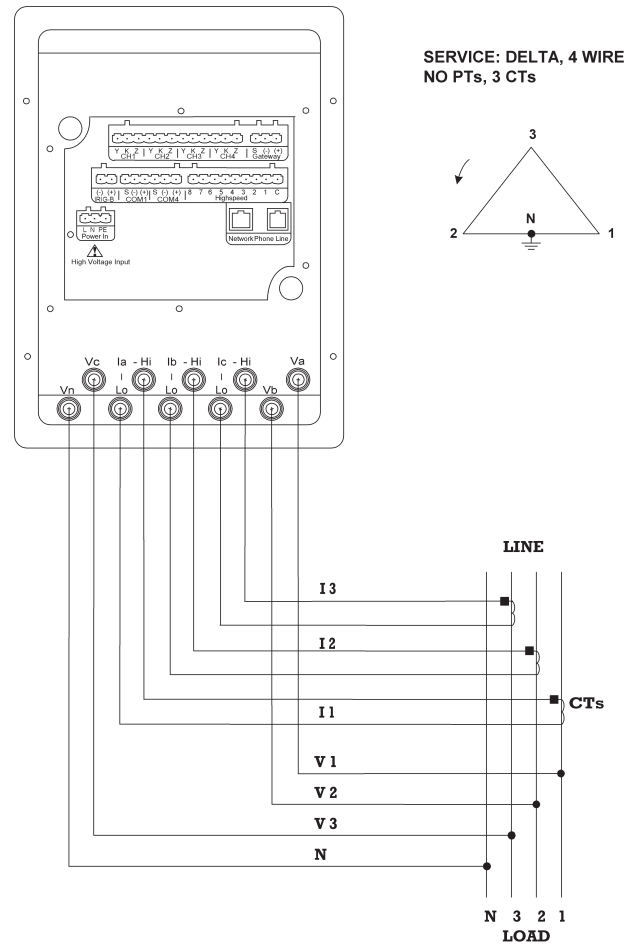
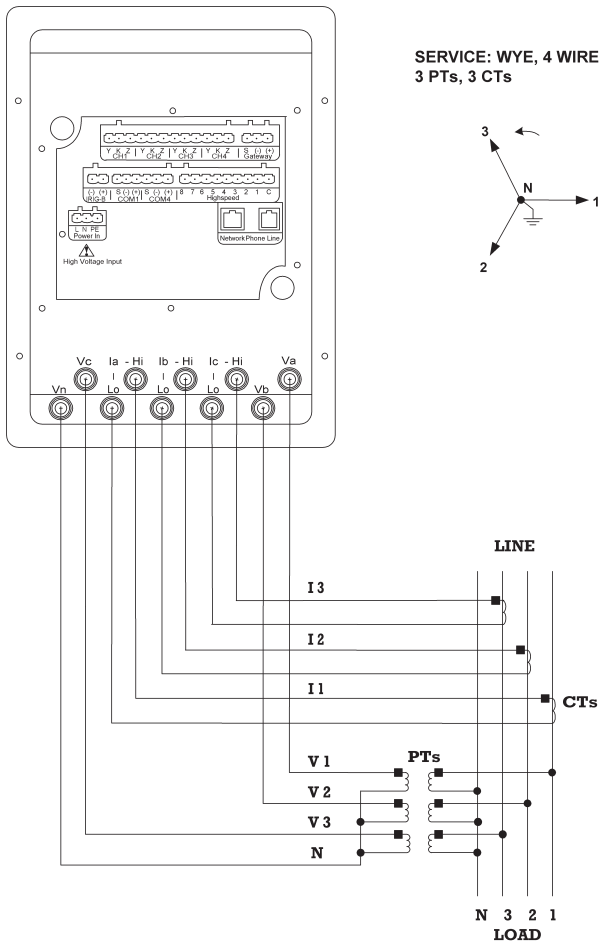


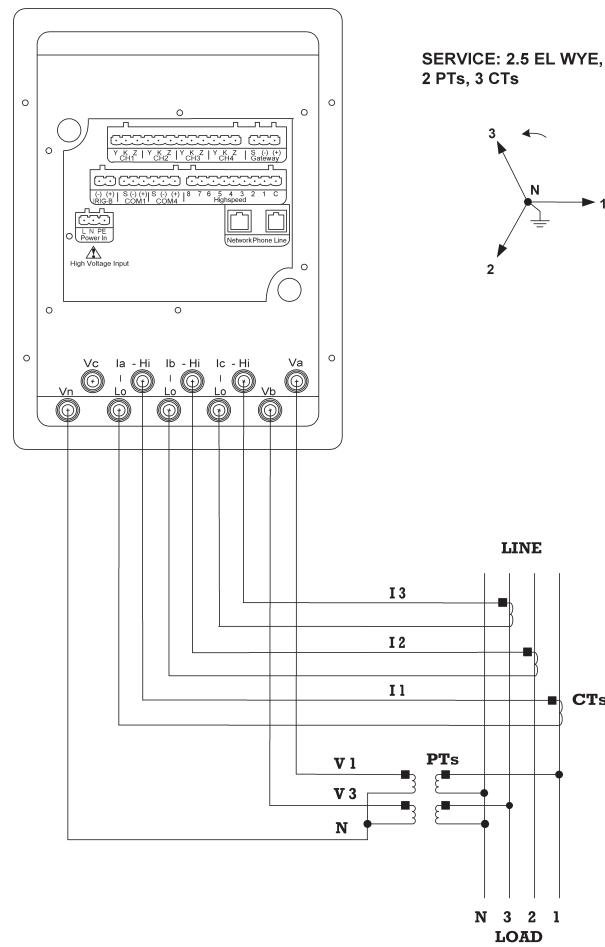
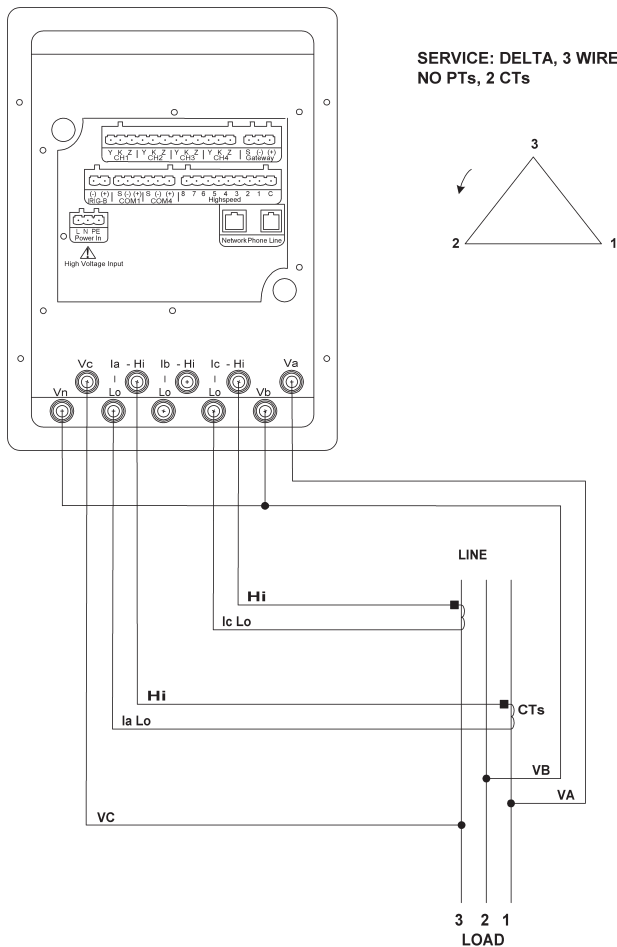
4. Position the case front against the four screw holes. Secure the front of the case by turning the four built-in screws in each of the corners.  
**NOTE:** Please check drill holes for the mounting screw you are using to insure that the mounting screw fits the box tightly enough to hold the box in place. You can use a washer for a tighter fit.



**Electrical Installation:**

**NOTE:** Following are some of the possible wiring configurations. See the Installation and Operation Manual on the enclosed CD for additional configurations.



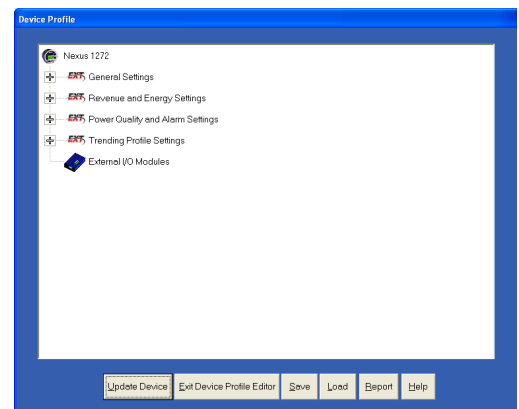
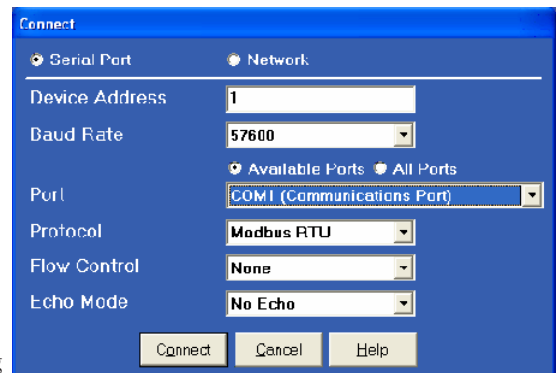


### Programming the Meter through Communicator EXT Software:

- Using the enclosed CD, install Communicator EXT software on your PC or laptop.
- From the Communicator EXT Main screen, click the **Connect** icon in the Icon bar at the top of the screen.
- You will see the Connect screen, shown on the right.  
**NOTE:** The settings on the right are for a Serial connection using RS485. To connect using the Optical port: set the Baud Rate to 9600; connect the A7Z at one end to the meter's Optical Port; and at the other end connect to a PC's RS232 Serial port (9- or 25-pin). For instructions on configuring a connection using the Internal Modem (INP2) or Network (INP200 or INP202) options, see the *Communicator EXT User Manual*, on the enclosed CD.
- Click Connect. The software will connect to the meter.
- Click the **Profile** icon in the Icon bar at the top of the screen. The Device Profile screen opens. See the screen shown on the right.

#### NOTES:

- Instructions for a few basic settings are given in this Quick Start Guide. Refer to the *Communicator EXT User Manual* on the enclosed CD for additional programming instructions.
- Click **Help>Contents** from the Title Bar at the top of the screen to open the User Manual online.



## CT, PT Ratios and System Hookup

1. From the Device Profile screen, double-click **General Settings**>**CT, PT Ratios and System Hookup**. The current settings are shown on the screen.
2. Double-click one of the settings to open the CT and PT Ratios screen, shown on the right.
3. You can enter CT and PT Ratios and select Hookup and Frequency from the pull-down menu.
4. Click **OK** to close the screen. Click **Update Device** from the Device Profile screen to save your settings.

## Communication Settings

1. From the Device Profile screen, double-click **General Settings**>**Communications**. The current settings for the meter's Ports are shown on the screen.
2. Double-click one of the Port settings to open the Communications Settings screen, shown on the right.
3. You can set the settings for both Communication Ports, as well as the optional Modem and Network settings. Click **Help** to view instructions for configuring these settings.
4. Click **OK** to close the screen. Click **Update Device** from the Device Profile screen to save your settings.

## Uploading a Device Profile and Naming the Meter

To upload a previously saved Device profile to the meter:

1. From the Communicator EXT Main screen, click the **Device Profile** icon.
2. The Device Profile screen opens. Click the **Load** button at the bottom of the screen.
3. A window opens showing you any saved Device Profiles (these are .nps files). Select the profile you want to load and click **Open**.
4. The saved Device profile is loaded into Communicator EXT.
5. To give the meter a unique name, click **General Settings**>**Labels**.
6. You will see the sub-menu shown on the right. Click **Meter Designation** to open the Labels screen.
7. The Labels screen is shown below, on the right. Enter a unique name for the connected meter in the Meter Designation field and then click **OK**.
8. You can now click the **Update Device** button in the Device Profile screen to upload this Device profile to the connected meter.